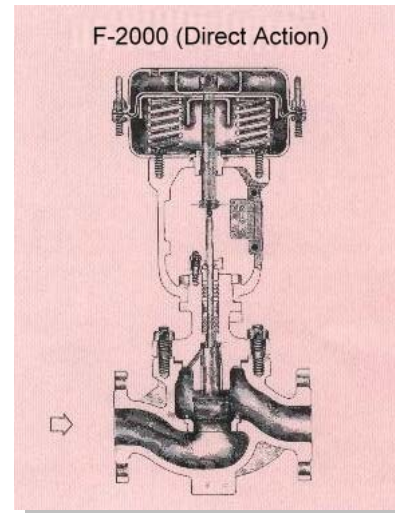


GLOBE TYPE SINGLE SEATED CONTROL VALVE

F-2000 Series

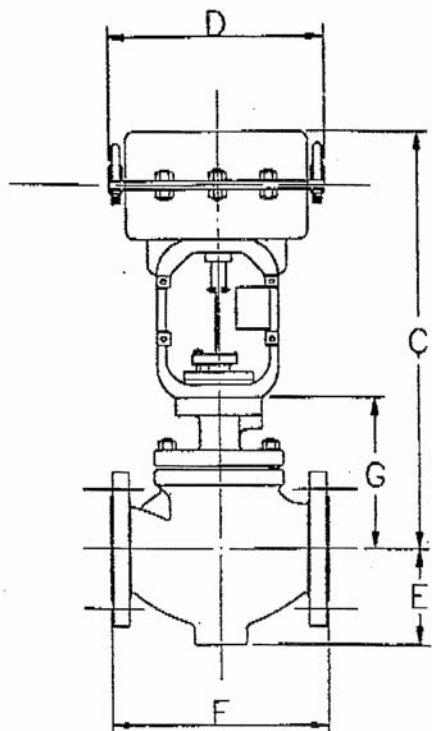


Model F-2000 control valves have single seat, top guide, and simple streamlined body with lower pressure drop, so that these valves are available for applications controlling high viscosity fluids and slurry. Also, there are small valves with 15mm port size or less and small flow plug. The actuators are designed compactly as multi-spring diaphragm operated type, and permit high thrust.



Valve Type		Diaphragm operated control valve							
Valve Model No.		Model F-2000							
Valve Body	Body Type		Globe type						
	Valve Sizes	(mm)	20	25	40	50	65	80	100
		(in.)	3/4	1	1 1/2	2	2 1/2	3	4
	Pressure Rating		JIS 10K, 20K, 30K, 40K			ANSI Class 150, 300, 600			
	End Connections		Franged End : FF, RF, RJ, Male and Female. Tongue and groove. (Welding end : SW, BW)						
	Body Materials		FC200, SCPH2, SCS13A, SCS14A						
	Bonnet Types		Plain(-17°C to +230°C) , Fin(-20°C to under -17°C, over +230°C) Bellows seal (See page3) , Extension (Light type : -100°C to under -20°C, Heavy type : -196°C to under -100°C)						
	Gland Types		Bolted gland						
	Packing		PTFE V-ring, Braided packing, Molded packing						
	Gaskets		Flat gasket, Serrated gasket, Spiral wound gasket						
	Guiding		Top guide						
Valve Plug Action		Push-down close							
Seat Type		Single seated							

Main Dimensions



Unit: mm

SIZE	D	C	E	F	G
1/2"	245	390	55	148	120
3/4"	245	390	55	148	120
1"	245	390	62	158	123
1 1/4"	295	440	75	198	140
1 1/2"	295	440	75	198	140
2"	295	465	85	230	160
2 1/2"	345	485	118	288	165
3"	345	505	135	320	185
4"	420	665	155	350	205
5"	420	688	190	405	218
6"	420	698	230	485	228

Allowable Differential Pressure

1. Off-balance Classification

Unit: kgf/cm²G

Action			Spring Range		Supply Air Pressure	Off-balance	Positioner
			Actuator Size				
			N24-N40	500, 650			
Contoured Plug	Direct Action		0.2~1.0		1.2	0.2	Without
			0.4~2.0		2.4	0.4	With
			0.4~2.0	0.6~2.2	2.8	0.6	
	0.4~2.0	--		2.8	0.8		
	Reverse Action		0.2~1.0		1.2	0.2	Without
			0.4~2.0		2.4	0.4	With
--			0.6~2.2	2.8	0.6		
0.8~2.0			0.8~2.4	2.8	0.8		
Quick Opening	Direct Action		0.4~2.0		2.4	0.4	
			--	0.6~2.2	2.8	0.6	
			0.4~2.0	0.4~2.0	2.8	0.8	
	--	3.0		1.0			
	Reverse Action		0.4~2.0		2.4	0.4	
			--	0.6~2.2	2.8	0.6	
0.8~2.0			0.8~2.4	2.8	0.8		

2.Allowable Shut-off Pressure



Unit: kgf/cm²

		Contoured Plug, V-Port							
Actuator Size	Off Balance	Port Size							
		15 (mm)	20	25	40	50	65	80	100
		1/2 (in)	3/4	1	1 1/2	2	2 1/2	3	4
240	0.2	21	10	7.1	3.5	2.1	1.4		
	0.4	42	20	14	7.1	4.2	2.8		
	0.8	84	41	28	14	8.5	5.7		
	1.0	100	52	35	17	10	7.1		
300	0.2	27	13	9.2	4.6	2.7	1.8	1.3	0.7
	0.4	54	27	18	9.2	5.5	3.6	2.6	1.5
	0.8	100	54	36	18	11	7.3	5.2	3.0
	1.0	--	67	46	23	13	9.2	6.6	3.8
330	0.2	40	20	13	6.7	4.0	2.7	1.9	1.1
	0.4	80	40	27	13	8.1	5.4	3.8	2.2
	0.8	100	80	54	27	16	10	7.7	4.5
	1.0	--	100	67	33	20	13	9.7	5.6
400	0.2				9.5	5.7	3.8	2.7	1.5
	0.4				19	11	7.6	5.4	3.1
	0.8				38	22	15	10	6.3
	1.0				47	28	19	13	7.9

Unit: kgf/cm²

		Quick Opening							
Actuator Size	Off Balance	Port Size							
		15 (mm)	20	25	40	50	65	80	100
		1/2 (in)	3/4	1	1 1/2	2	2 1/2	3	4
240	0.4	34	17	11	5.6	3.2	2.1		
	0.8	69	34	22	11	6.4	4.2		
	1.0	87	43	28	14	8.0	5.3		
300	0.4	45	22	14	7.3	4.1	2.7	1.9	1.1
	0.8	90	45	29	14	8.3	5.5	3.8	2.3
	1.0	100	56	36	18	10	6.9	4.8	2.9
330	0.4	66	33	21	10	6.1	4.0	2.8	1.7
	0.8	100	66	43	21	12	8.1	5.6	3.5
	1.0		83	53	26	15	10	7.1	4.3
400	0.4				15	8.6	5.7	4.0	2.4
	0.8				30	17	11	8.0	4.9
	1.0				37	21	14	10	6.1

Note: 1.Frame represents the standard combination of valve body (at full port) and actuator.

2.Off-balance 1.0 kgf/cm²G is applied only to direct action.

3.This table shows the value as to standard gland packing (PTFE V-ring)

4.When tight shut off (TSO) is specified for contoured or V-port plug, allowable shut-off pressure is selected to multiply the value in above table by 1/1.2.

5.The unit conversion value from kgf/cm² to MPa is obtained to multiply the value in above table by 0.0980665.

6.Allowable shut-off pressure for bellows seal bonnet differ from above table.



Fayin Enterprise Limited

8F-2, No.341, Zhong Xiao E.Rd., Sec.4, Taipei City 10696, Taiwan, R.O.C. TEL:886-2-27723316

<http://www.fayin.com.tw>

E-mail: fayin.tw@msa.hinet.net

FAX:886-2-81926485