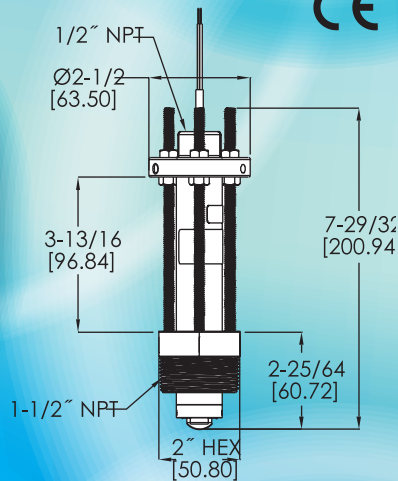


蹣輪式流量計



蹣輪式流量計

Paddlewheel Flow Sensor



應用 Application

1. 食品、飲料、石化、製藥等工業
2. 農業灌溉、水利、電力工業
3. 冷暖空調水路系統

特點 Feature

1. 無磁性元件，不會粘附流體中的磁性物質
2. 插入式安裝，可安裝於1.5~40英吋的管線
3. 可選擇脈衝式輸出或4-20mA DC 輸出

型號 Model

Model	Body Material	Output	Description
F-PFT4AN-B111-S	Brass	4-20 mA	1-1/2" NPT connection, FKM seals, tungsten-carbide shaft, PTFE bearing, 20' of cable
F-PFT4AN-S111-S	316SS	4-20 mA	1-1/2" NPT connection, FKM seals, tungsten-carbide shaft, PTFE bearing, 20' of cable
F-PFT4DN-B111-S	Brass	Pulse	1-1/2" NPT connection, FKM seals, tungsten-carbide shaft, PTFE bearing, 20' of cable
F-PFT4DN-S111-S	316SS	Pulse	1-1/2" NPT connection, FKM seals, tungsten-carbide shaft, PTFE bearing, 20' of cable

聯絡 Contact

Fayin Enterprise Limited

展林企業股份有限公司

10696台北市大安區忠孝東路四段341號8樓之2

8F-2, No.341, Zhong Xiao East Road, Sec.4, Taipei City 10696, Taiwan, R.O.C.

Tel:02-27723316 Fax:02-81926485

http://www.fayin.com.tw fayin.tw@msa.hinet.net