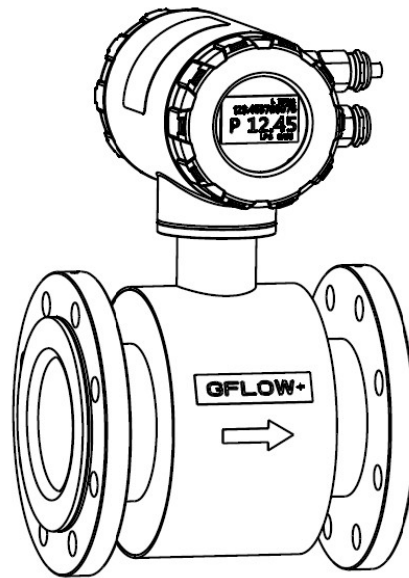


Technical Specification

gFlow+ IF600

Electromagnetic flowmeter



Application

- Robust design for water or general waste water industry
- Direct replacement of mechanical water meter
- Control interface friendly

Features

- High accuracy - thanks to our high SNR flow sensor and measurement circuitry
- Transmitter housing made of casted aluminum
- Supporting multiple communication protocols as HART, Modbus RS-485
- Optimized for low flow measurement, rated accuracy holds to 0.1m/s flow speed

Flow measurement

Measured variable	Volume flow rate by flow speed
Measuring range	0.005~10 m/s
Measuring performance	0.5% o.R. 0.2%/0.3% o.R. up on request for special calibration

Output

Output signal	Analog Active 4~20mA output Pulse output Active Frequency output 0~5kHz, 50% duty cycle
Communication	Modbus RS-485 or HART (optional)

Power supply

Supply voltage	85~265 VAC or 24VDC
Power consumption	10W

Process

Temperature	0~60°C
Pressure rating	DN50~DN150 16bar (1.6Mpa or 230psi) DN200~DN450 10bar (1.0Mpa or
Min. Conductivity	10 µS/cm
Connection	ANSI B16.5 #150

Materials

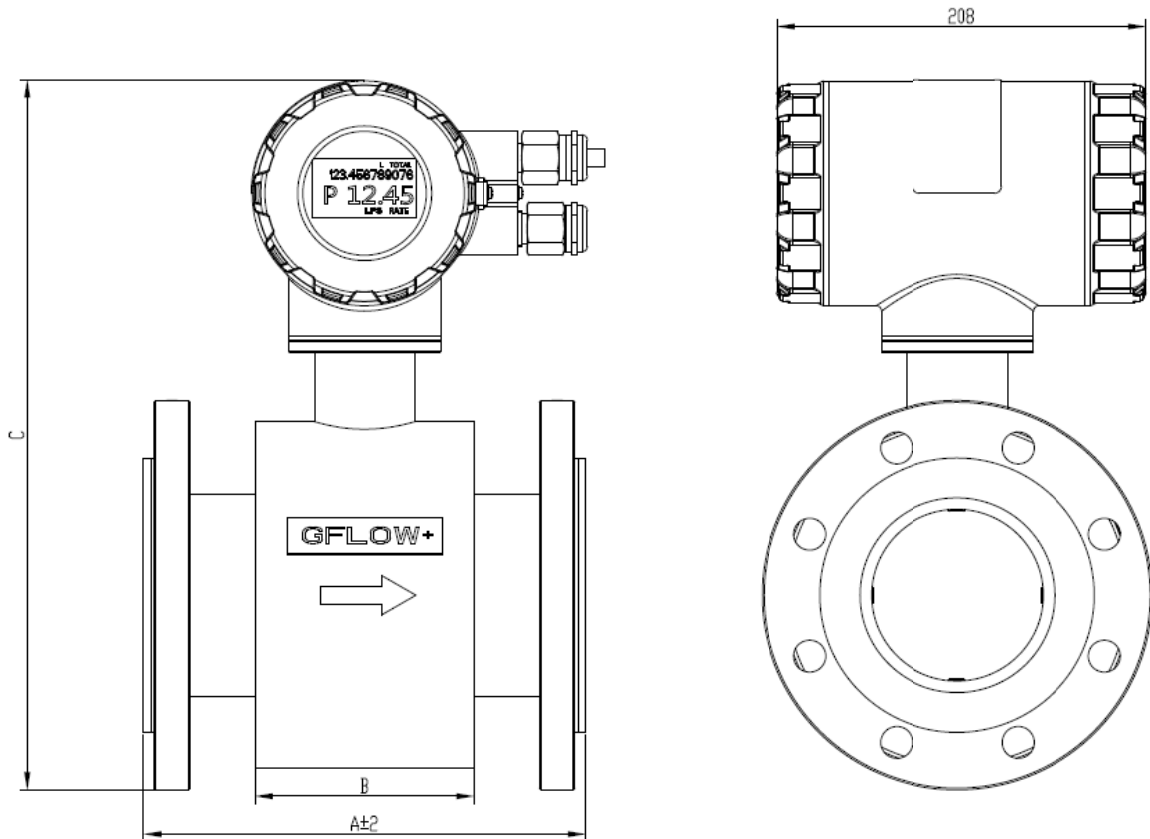
Sensor material	Electrodes 316 Stainless steel Liner CR Flow tube 304 Stainless steel Sensor body Carbon Steel
Electronics Housing	Casted aluminum, powder coated
Sealing O-Rings	EPDM

Environment

Ambient temperature	Operation temperature -10~60°C Storage temperature -20~60°C
CE Marking	IEC61000-4-2, 6kV direct discharge, 8kV discharge IEC 61000-4-3, 80MHz~1000MHz 10V/m, 1000MHz ~ 2700MHz:3V/m

IEC 61000-4-4 1kV on cable
 IEC 61000-4-5, 1kV on cable, 1,2/50s wave
 IEC 61000-4-6, 0.15~80MHz 3V
 IEC 61000-4-8, 10A/m
Housing Protection Level IP67, IP68 (remote version)

Installation dimension



DN	Inch	B(mm)	A±2(mm)	C(mm)
50	2	102	200	349
80	3			380
100	4	122	250	401
125	5	132	250	428
150	6	170	300	462
200	8	202	350	510
250	10	222	400	567
300	12	312	500	620
350	14	312	500	676
400	16	392	600	731
450	18	402	600	787

IF600 - **AAA** **-BBB** **-CCCC** **-DDDD** **-EEEE**

Model

IF600-

AAA	Size
002	DN50
003	DN80
004	DN100
006	DN150
008	DN200
010	DN250
012	DN300
014	DN350
016	DN400
018	DN450
xxx	Special size

BBB	Liner and electrodes
103	Rubber with 316L Stainless Steel electrodes

CCCC	Process connection
A1E5	ANSI 150# flange
A2E5	ANSI 300# flange
A3E5	ANSI 600# flange
D1E5	DIN PN16 flange
D2E5	DIN PN25 flange
D3E5	DIN PN40 flange
D4E5	DNPN63 flange
J1E5	JIS 10K flange
J2E5	JIS 20K flange
J3E5	JIS 40K flange

DDDD	Transmitter type and communication
0001	Compact transmitter with RS-485
0002	Compact transmitter with HART
0011	Remote transmitter with RS-485
0012	Remote transmitter with HART

EEEE	Power supply
0000	85~265V AC
0001	24V DC